

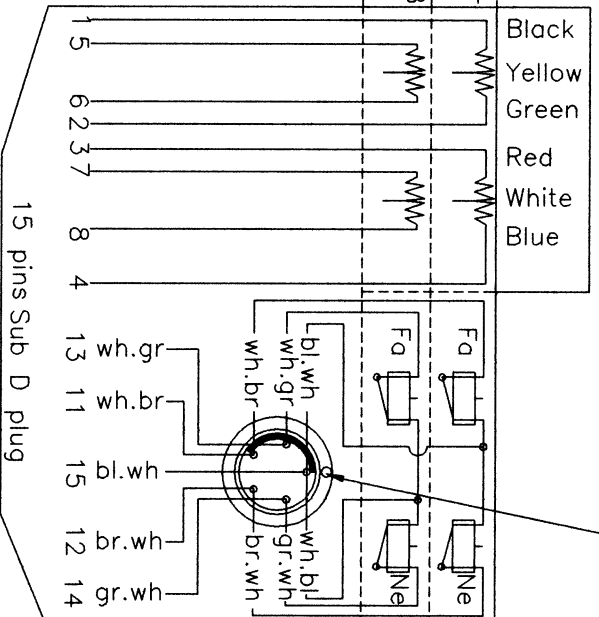
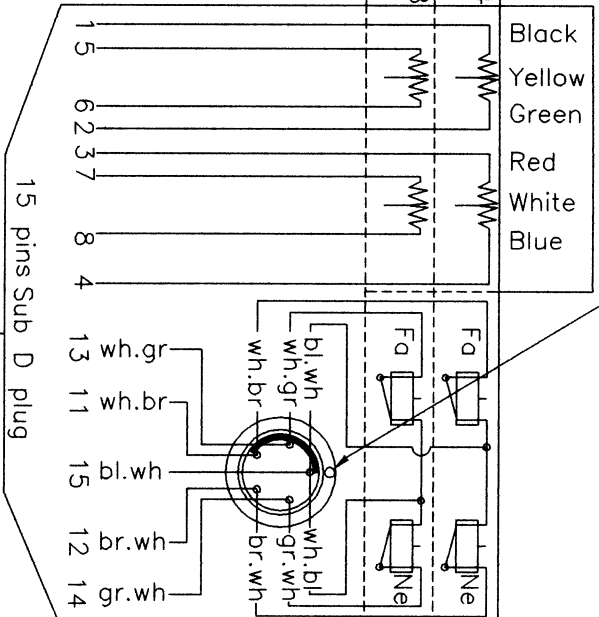
Red dot on Fischer plug
(Thin cables)

JJ X-Ray Tungsten Carbide slit
type 3 [dwg9982001b1](#)

Red dot on Fischer plug
(Thin cables)

Vexta stepmotors
type PX243M-01B
0.9amp
M1 = pin 1+2/3+4
Switch=11+12+15
M2 = pin 5+6/7+8
Switch=13+14+15

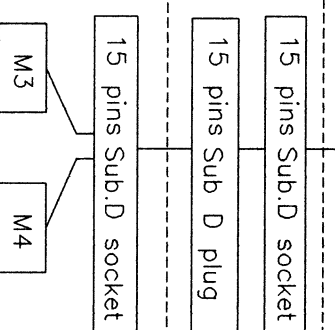
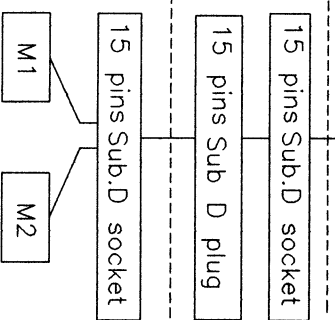
Vexta stepmotors
type PX243M-01B
0.9amp
M3 = pin 1+2/3+4
Switch=11+12+15
M4 = pin 5+6/7+8
Switch=13+14+15



Fa = Farthest away from motor
Ne = Nearest motor
wh.bl = White-blue
bl.wh = Blue-white
wh.gr = White-green
wh.br = white-brown
gr.wh = Green-white
br.wh = Brown-white

Split-up cables for step-drives

Split-up cables for step-drives



Cable diagram for Bi-polar run

Pos	Pc	Constr.	Name	Mat. or Dwg. nr.	Remarks
Date	30-04-01	Jens. Linderholm			Scale
Surface					1:1
Diagram f JJ X-Ray slit 3 in vacuum version					3-982013a3